



Case Study: Sam's



Qrimp is the easiest way to import, export, collaborate on, and share your information with the world!

Enterprise Integration

Sam's needed to rebuild a legacy customer approval system deeply integrated with two internal customer management systems and two external services for identity verification and credit reporting.

Integration with 3rd party reference providers

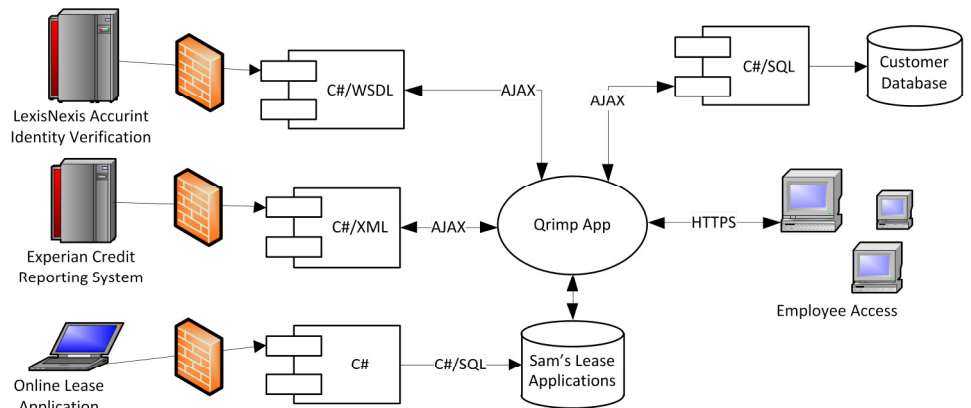
The Qrimp team built custom connectors to integrate with LexisNexis's Accurant Identity verification system and Experian's Credit Reporting service. Building and compiling the connectors in Visual Studio and dropping the DLLs into the Qrimp App's BIN folder gives the connectors access to the Qrimp session state including the logged in User ID.

createdate	AssignedTo	Last Name	First Name	Middle Init
10/4/2011 2:57:56 PM	unassigned	Smith	John	R
Birth Month	Birth Day	Birth Year		
3	09	1981		
SSN	ID Num.	ID State	IDType	
447 76 1234		TX		
38 - The input SSN is associated with multiple last names				
Address	Apt	City	State	Zip Code
456 Main Street	123	Dallas	TX	75248
Home Phone	Work Phone	ext.	Alternate Phone	

Provide additional functionality with AJAX

AJAX calls to the corresponding .ASPX files display credit reports and field by field verification of identity information provided by the customer. Data entry errors are highlighted in red.

Build your ideas with us.
Build your business with us.



Qrimp Running On-Premises

To enable integration with existing systems, the Qrimp application was installed on servers owned and maintained by Sam's behind their corporate firewall.



228 N. K St. Muskogee, OK 74403
P: 310.428.7299 email: sales@qrimp.com



www.qrimp.com